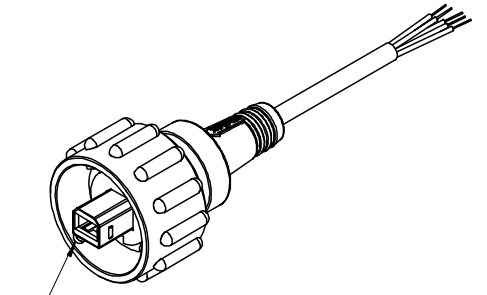
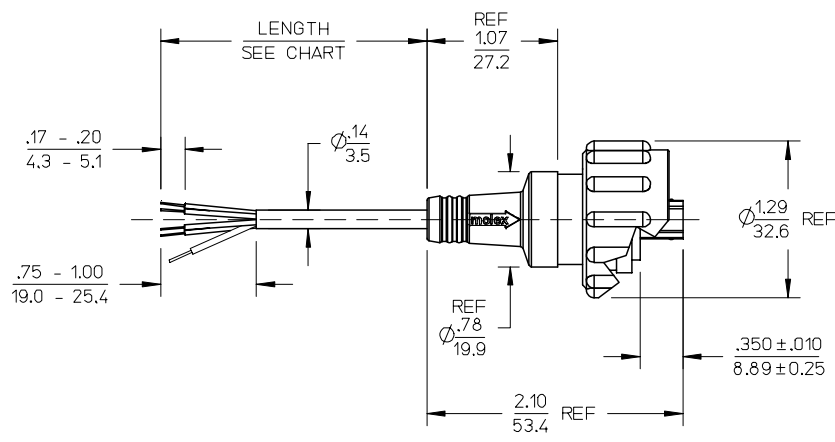


PART NO.	LENGTH
847281002	1.5M (4' 11.06")
847281001	2.0M (6' 6.74")
847281003	3.0M (9' 10.10")
847281004	5.0M (16' 4.85")
847281005	0.15M (0' 5.91")

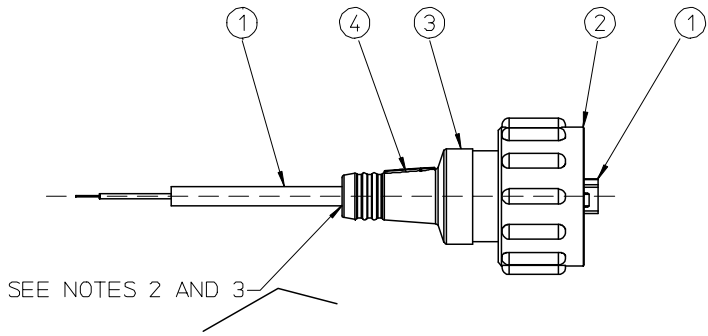


BAYONET STYLE LOCKING INTERFACE

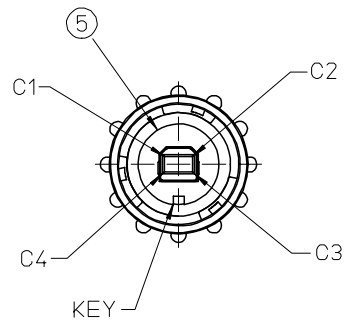
RED	1
WHT	2
GRN	3
BLK	4
DRAIN	5 SHIELD

P1

WIRING DIAGRAM



SEE NOTES 2 AND 3



KEY

SALES DRAWING

- NOTES: UNLESS OTHERWISE SPECIFIED
 1. MATERIAL: SEE TABLE.
 2. FINISHES: SEE TABLE.
 3. PRODUCT SPECIFICATION: SEE SPECIFICATIONS.
 4. PACKAGING: NOT REQUIRED.
 5. MATES WITH: USB TYPE-B RECEPTACLES.
 6. ASSEMBLY IS RoHS COMPLIANT.

ITEM	QTY.	DESCRIPTION	MATERIAL	FINISH
5	1	GASKET SEAL	NITRILE	BLACK
4	1	OVER MOLDING	PVC	BLACK
3	1	HOLDER	POLYESTER	BLACK
2	1	COUPLING RING	POLYESTER	BLACK
1	1	USB TYPE-B PLUG SHIELDED PIGTAIL	STEEL/PLASTIC	-

CADKEY TO ME10
 EC NO: ETC2007-0426
 DRWN: TROMANO 2007/05/29
 CHKD: J. MACNEIL 2007/05/29
 APPR: J. MACNEIL 2007/05/30

QUALITY SYMBOLS
 ▽=0
 ▽=0

GENERAL TOLERANCES (UNLESS SPECIFIED)	
	INCH
4 PLACES	± .005
3 PLACES	± .005
2 PLACES	± 0.13
1 PLACE	± 0.3
ANGULAR ± 2 °	

DRAFT WHERE APPLICABLE
 MUST REMAIN WITHIN DIMENSIONS

DIMENSION STYLE	
IN/MM	
DRAWN BY	DATE
S. GILBERT	06-29-04
CHECKED BY	DATE
G. ROBERTSON	10-05-04
APPROVED BY	DATE
AMP	10-05-04
MATERIAL NO.	DOCUMENT NO.
SEE CHART	SD-84728-001

SCALE: ---

DESIGN UNITS: INCH

THIRD ANGLE PROJECTION

PLUG, USB TYPE-B, SHIELDED, PIGTAIL CIC

MOLEX INCORPORATED

SHEET NO. 1 OF 1

THIS DRAWING CONTAINS INFORMATION THAT IS PROPRIETARY TO MOLEX INCORPORATED AND SHOULD NOT BE USED WITHOUT WRITTEN PERMISSION